



VITREOUS CHINA

TOILET  
21-902

LAVATORIES

TOILETS

BIDETS / URINALS

CAST IRON

# MAXWELL® 1.28 Round Front Toilet

12" Rough-in

### Features:

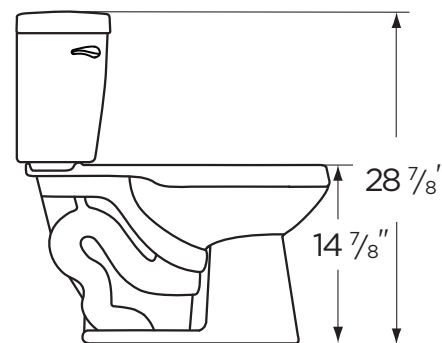
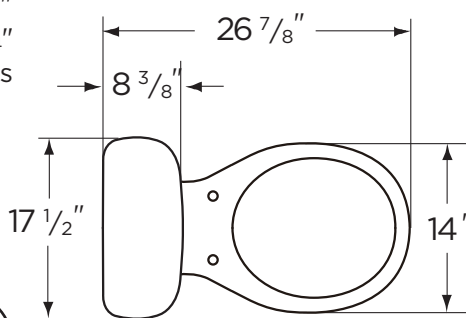
- 1.28 gpf/4.8 Lpf high efficiency two-piece toilet
- Round Front bowl
- Dual-fed siphon jet
- Pilot fill valve
- 3" flush valve
- 2" glazed trapway
- Color matched front tank lever (white only)
- Optional insulated non-sweating tank
- Optional right-handed trip lever
- Available in White, Bone and Biscuit
- 2 bolt caps



### Dimensions:

- Height..... 28 7/8"
- Width..... 17 1/2"
- Depth..... 26 7/8"
- Rough-in..... 12"
- Water Surface from Rim ..... 6"
- Trapway..... 2"
- Water Surface ..... 9 1/8" x 7"
- Water Seal ..... 2 1/4"
- Shipping Weight ..... 76 lbs

**Specifications:** Bowl—#21-952 Round Front Bowl      Tank—#28-990  
Seat not included



THIS FIXTURE QUALIFIES ACCORDING TO ASME TEST PROCEDURES AS A HIGH EFFICIENCY WATER CLOSET WITH AN AVERAGE CONSUMPTION OF 1.28 gpf (4.8 Lpf) OR LESS.

HIGH EFFICIENCY TOILET  
**HET**

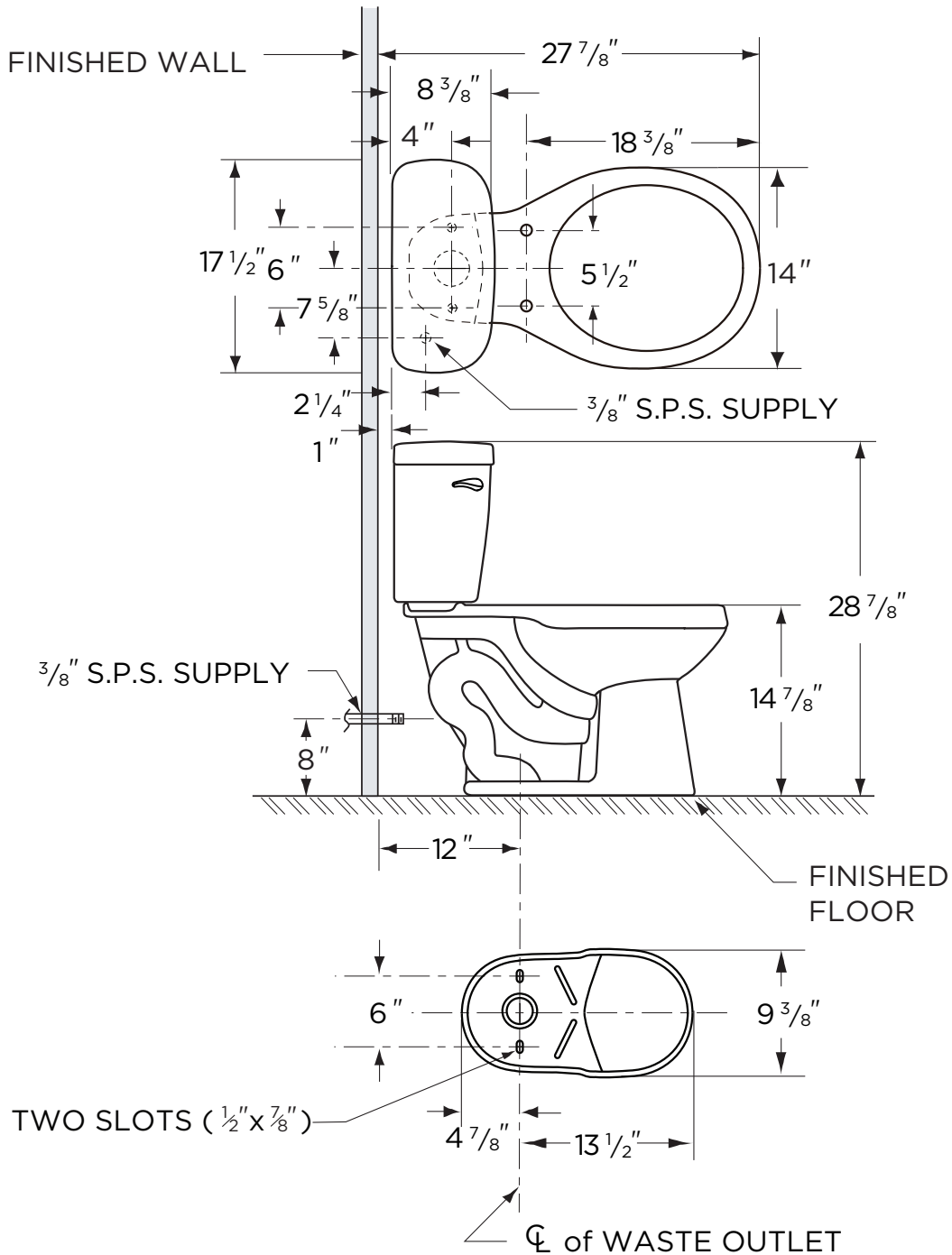
Job Name	
Date	
Model Specified	
Quantity	
Customer	
Contractor	
Architect/engineer	

www.gerberonline.com



1.28 gpf (4.8 Lpf) MAXWELL® 1.28 TOILET

21-902  
Round Front, 12" Rough-in  
(Bowl 21-952 with Tank 28-990)



NOTES:  
All dimensions are in inches.

Illustrations may not be drawn  
to scale.

IMPORTANT:

Dimensions of fixtures are nominal and may vary  
within the range of tolerances established by ASME  
Standard A 112.19.2.

THIS FIXTURE QUALIFIES ACCORDING TO ASME  
TEST PROCEDURES AS A HIGH EFFICIENCY  
WATER CLOSET WITH AN AVERAGE  
CONSUMPTION OF 1.28 gpf (4.8 Lpf) OR LESS.